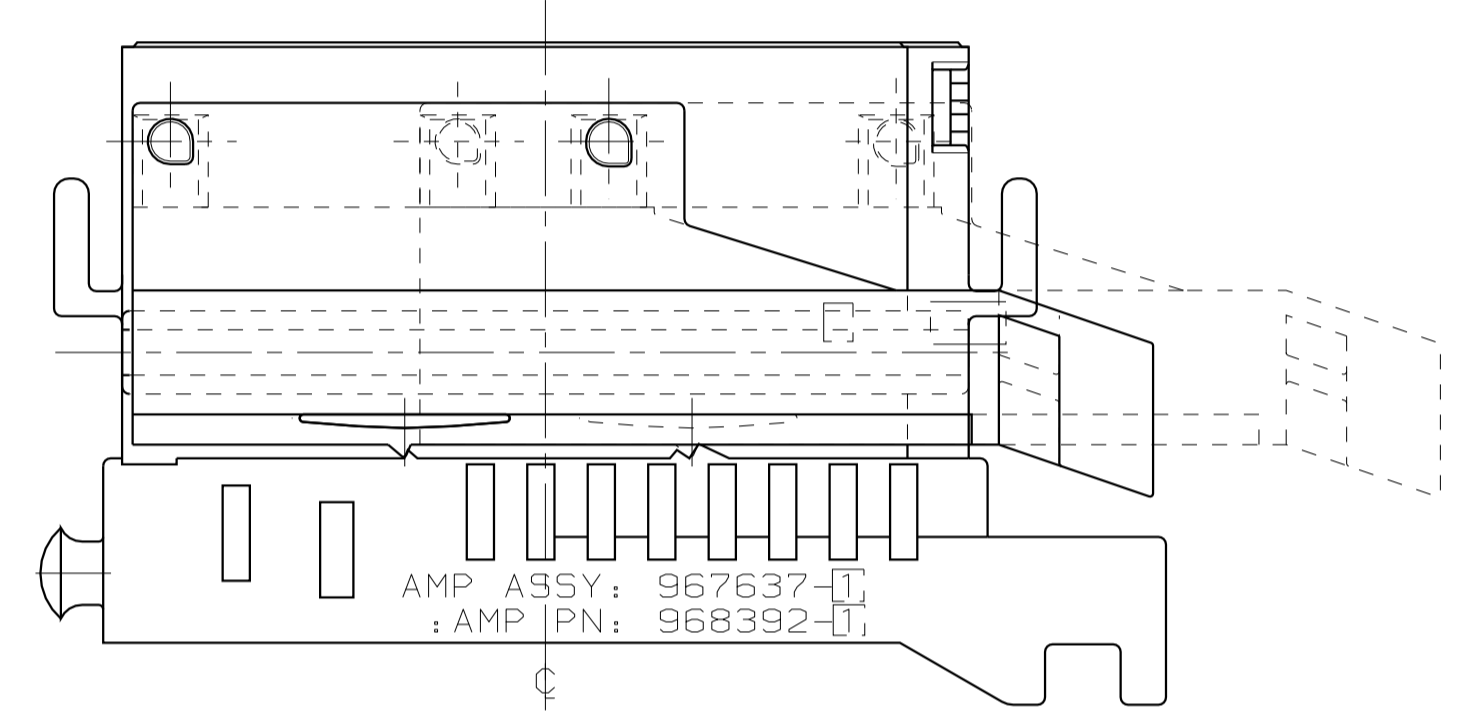
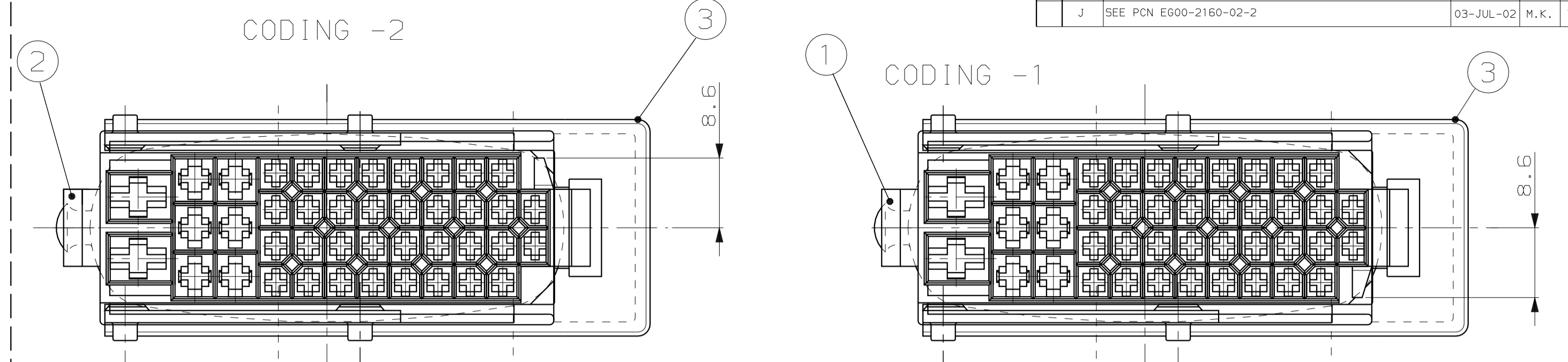


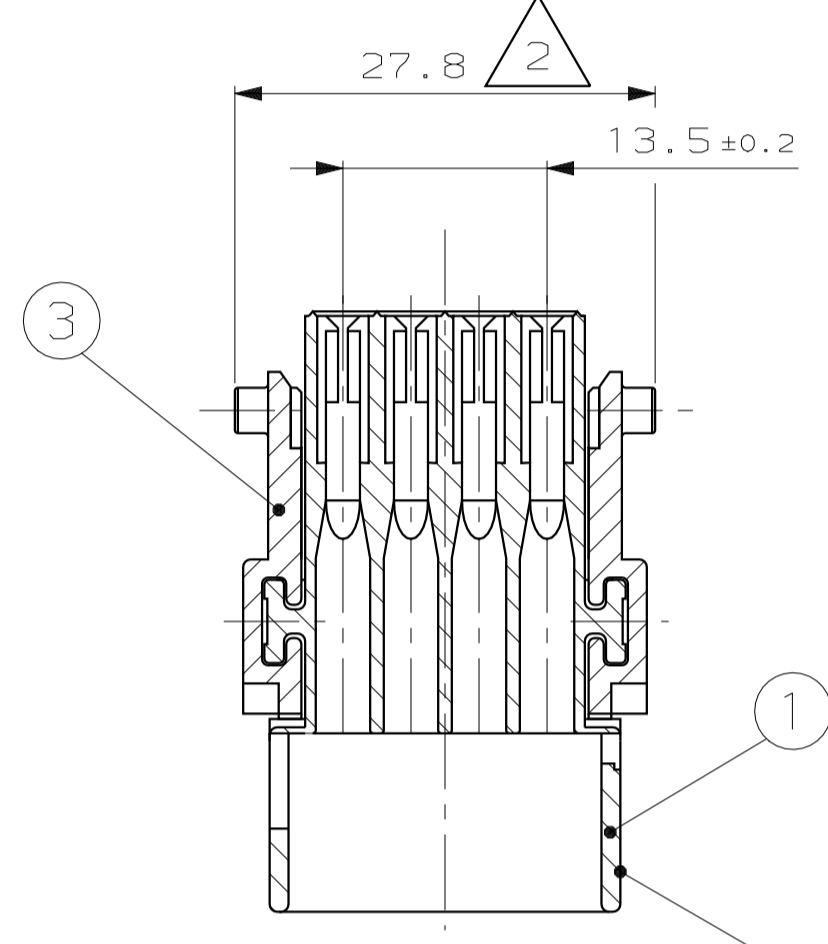
LOC	DIST	REV	LTR	DESCRIPTION	DATE	DN	APVD
A1	-	G	SEE PCN EG00-0017-02		09JAN02	Meinh.	T.K.
		H	SEE PCN EG00-0146-02		21JAN02	Meinh.	T.K.
		H1	SEE PCN EG00-0869-02		11MAR02	Meinh.	T.K.
		J	SEE PCN EG00-2160-02-2		03-JUL-02	M.K.	T.K.

NOTES
Bemerkungen

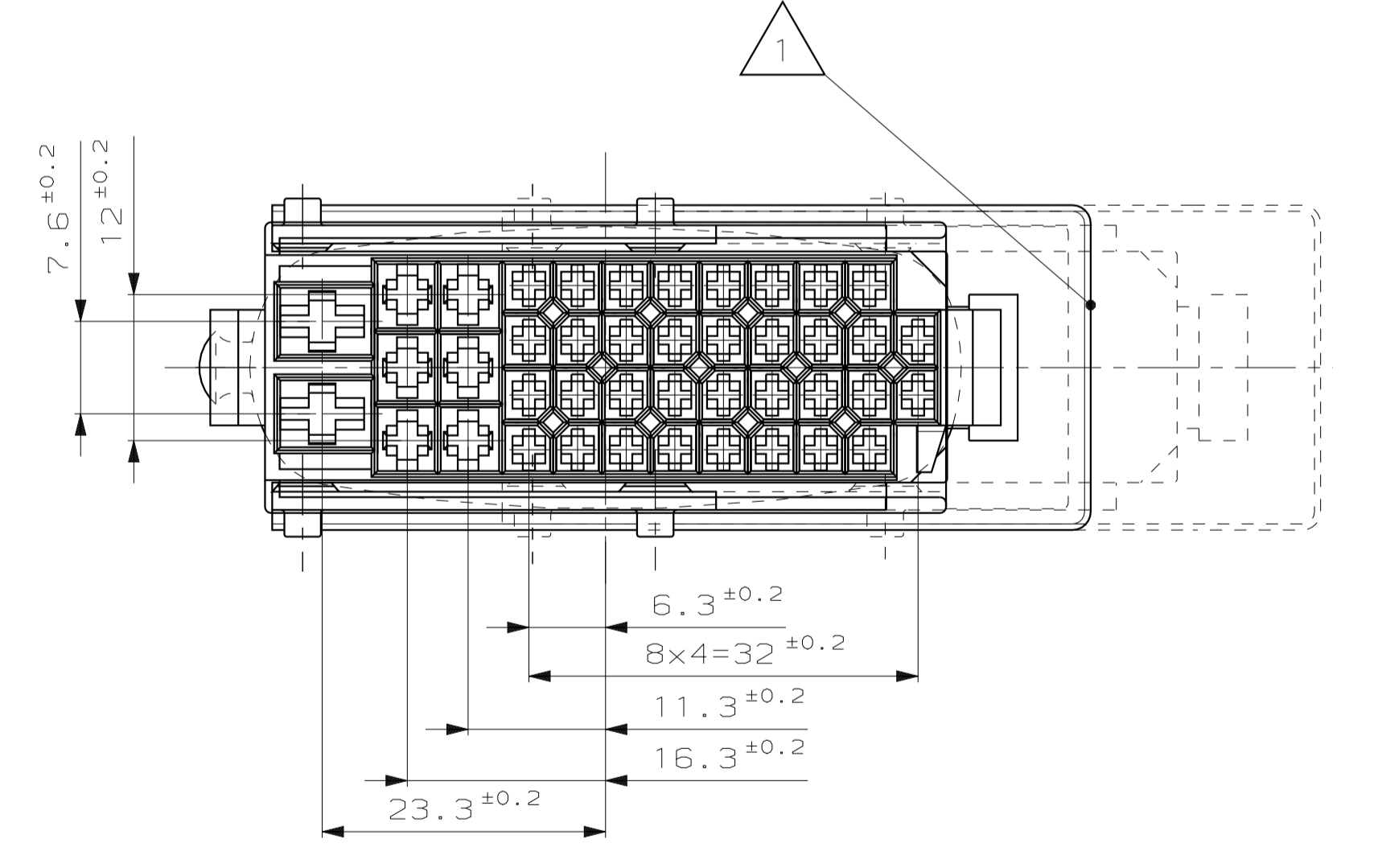
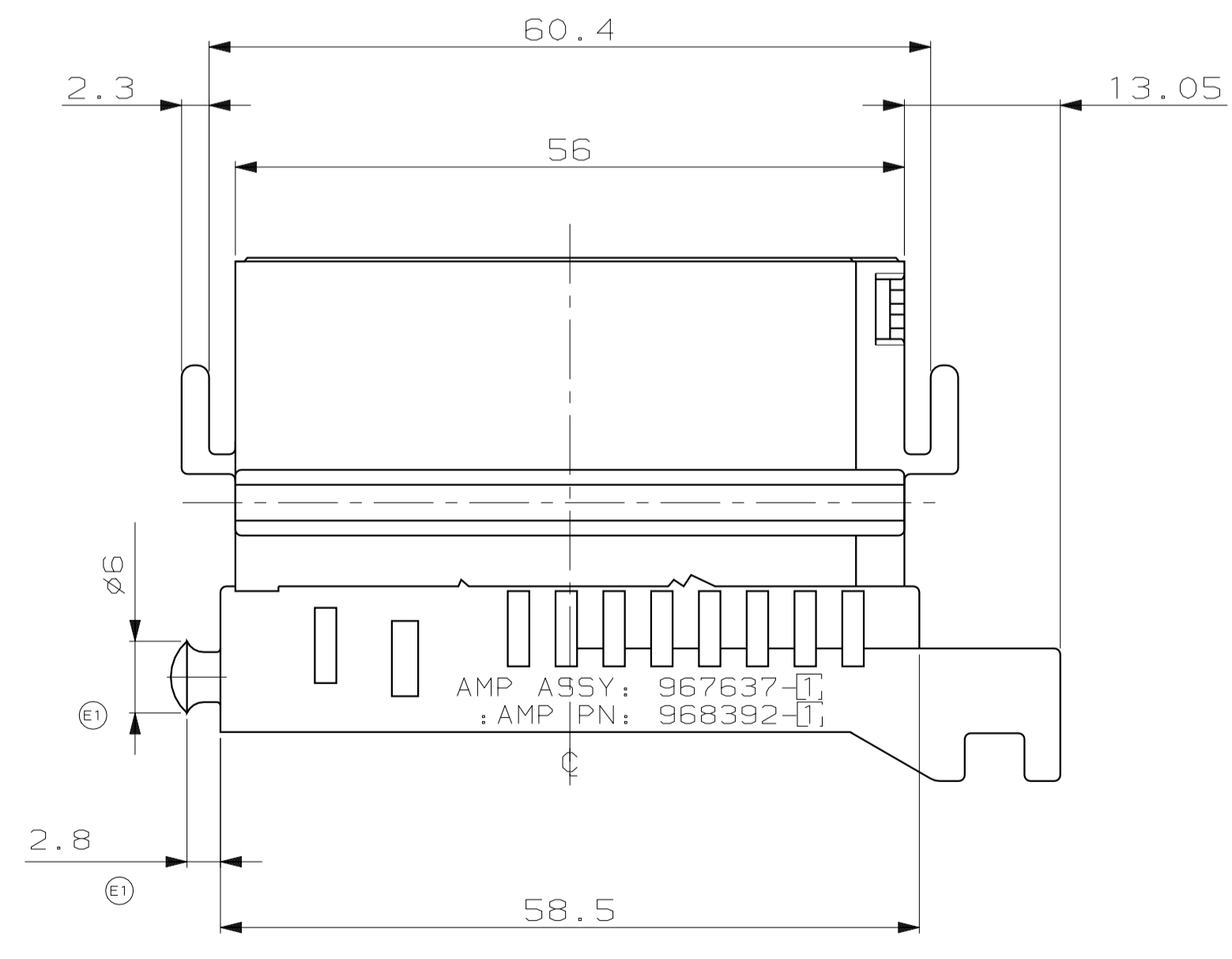
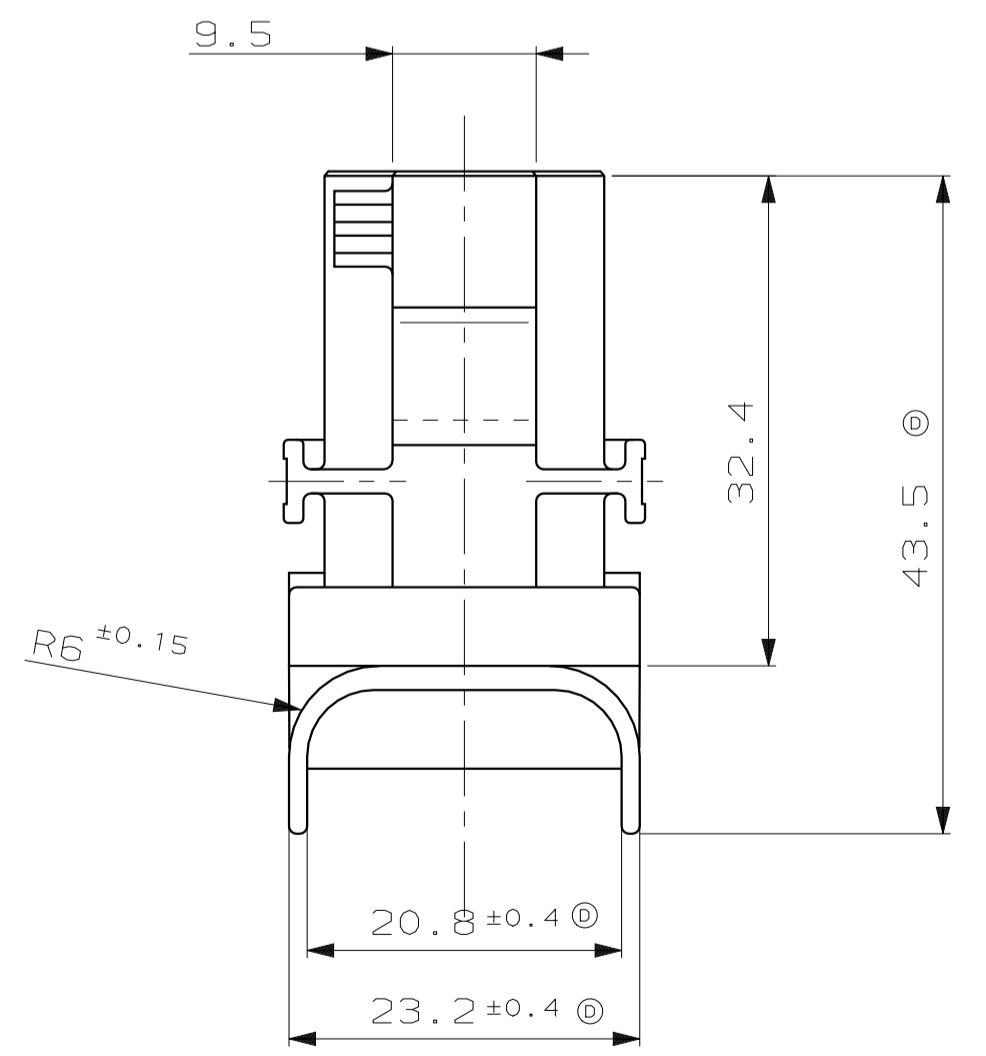
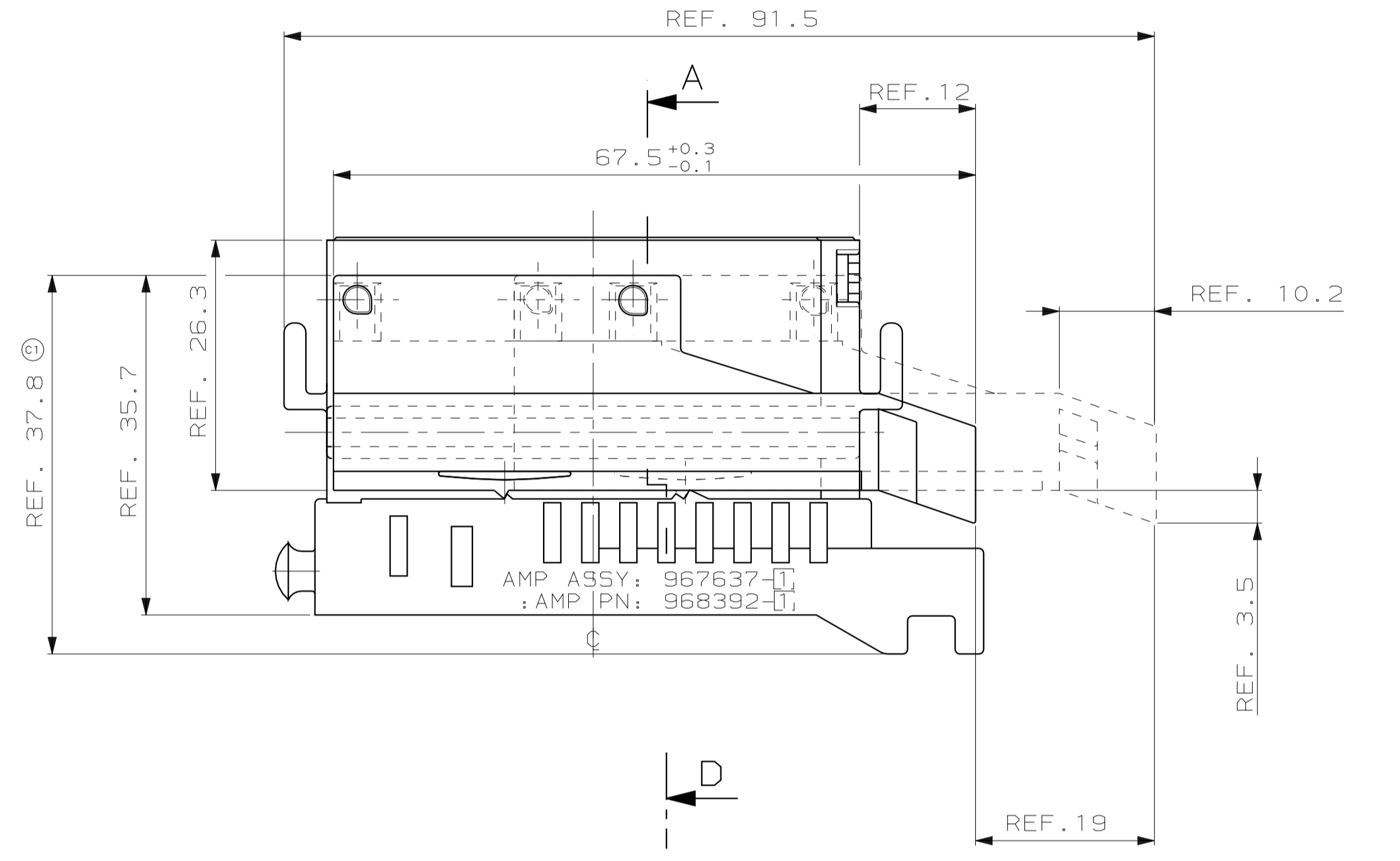
- 1 DELIVERY CONDITION: SLIDE CLOSED
Auslieferungszust: Schieber geschlossen
- 2 PERMISSIBLE COLLAPSE TO 27.15mm
Einfall zulässig bis 27.15mm
- 3 TOLERANCES UNLESS OTHERWISE SPECIFIED ±0.3
Toleranzen wenn nicht anders spezifiziert ±0.3



Schnitt SECTION A-D



SAAB
[SAAB NO]
>PBT-GF30< [F]



Darstellung ohne Schieber
VIEW WITHOUT SLIDE

THIS DRAWING IS UNPUBLISHED. IT IS SUBJECT TO CHANGE AND THE CONTROLLING ENGINEERING DEPARTMENT SHALL BE CONTACTED FOR THE LATEST REVISION.		DN: B. Buxbaum DATE: 29-JAN-96	
DIMENSIONS: mm DIMENSIONS: mm DIMENSIONS: mm		PRODUCT SPEC: 108-18478-1 APPLICATION SPEC: 114-18179	
MATERIAL: - FINISH/OBERFLÄCHE/FARBE: -		WEIGHT: - RESTRICTED CUSTOMER	
AMP ASSY: 967637-1 AMP IPN: 968392-1		AMP tyco Electronics AMP GmbH D - 64625 Bensheim	
SIZE: A1 CAGE CODE: 00779		DRAWING NO: 967637 DATE: 13-FEB-96	
FINISH/OBERFLÄCHE/FARBE: -		RESTRICTED TO: SAAB	